

FRP TANKS

ecoEARTH
TECHNOLOGY

ECO EARTH TECHNOLOGY PTE. LTD.

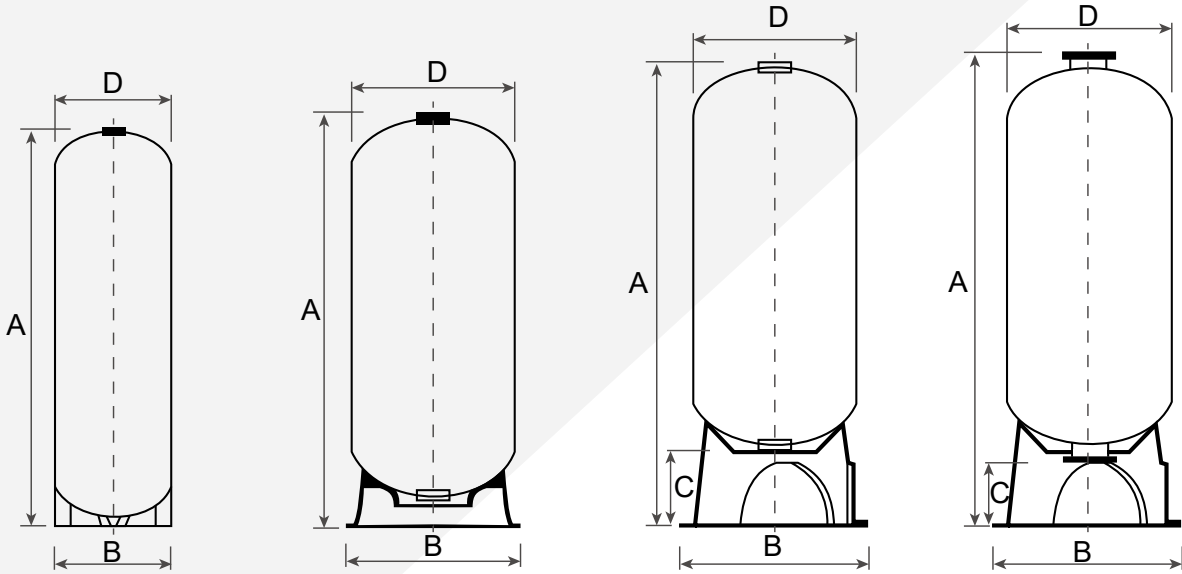
2022



Mobile: +65 9488 6577 | Email: ecoearthtechnology@gmail.com

FRP tanks

0.6Mpa/1.0Mpa Specification

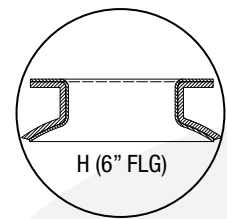
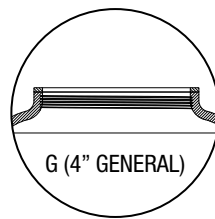
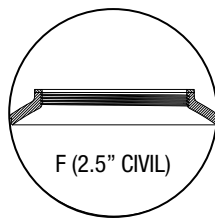
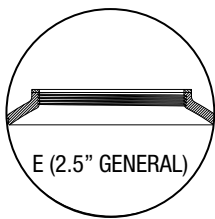


5" - 16"
2.5" 8-NPSM
FOR GENERAL INDUSTRY
TOP OPENING
STANDARD BASE

18" - 36"
2.5" 8-NPSM
FOR CIVIL & COMMERCIAL USES
TOP OPENING
ROUND BASE

14" - 40"
4" - 8UN
FOR GENERAL INDUSTRY
TOP & BOTTOM
TRIPOD BASE

30" - 80"
6" - FLG
FOR GENERAL INDUSTRY
TOP & BOTTOM
TRIPOD BASE



No.	Model Base	Nominal dimension	Opening		Volume		Base	Dimension			
			Top	Bottom	litre	Gallon		A (mm)	B (mm)	C (mm)	D (mm)
1	05 x 17	130*432	2.5"-8NPSM	/	4.0	0.1	Standard	437	Φ 136	/	Φ 130
2	05 x 20	130*508	2.5"-8NPSM	/	4.7	0.2	Standard	513	Φ 136	/	Φ 130
3	06 x 13	150*330	2.5"-8NPSM	/	4.9	1.3	Standard	335	Φ 161	/	Φ 155
4	06 x 17	150*432	2.5"-8NPSM	/	6.7	1.8	Standard	437	Φ 161	/	Φ 155
5	06 x 35	15*890	2.5"-8NPSM	/	15.0	4.0	Standard	896	Φ 161	/	Φ 155
6	07 x 13	180*330	2.5"-8NPSM	/	6.3	1.7	Standard	335	Φ 188	/	Φ 180

No.	Model Base	Nominal dimension	Opening		Volume		Base	Dimension			
			Top	Bottom	litre	Gallon		A (mm)	B (mm)	C (mm)	D (mm)
7	07 × 17	180*432	2.5"-8NPSM	/	8.6	2.3	Standard	437	Φ 188	/	Φ 180
8	07 × 35	180*890	2.5"-8NPSM	/	20.1	5.3	Standard	895	Φ 188	/	Φ 180
9	07 × 44	180*1110	2.5"-8NPSM	/	24.5	6.5	Standard	1125	Φ 188	/	Φ 180
10	08 × 13	200*330	2.5"-8NPSM	/	8.5	2.2	Standard	335	Φ 216	/	Φ 207
11	08 × 17	200*432	2.5"-8NPSM	/	10.9	2.9	Standard	437	Φ 216	/	Φ 207
12	08 × 24	200*610	2.5"-8NPSM	/	15.9	4.2	Standard	616	Φ 216	/	Φ 207
13	08 × 35	200*890	2.5"-8NPSM	/	25.0	6.6	Standard	895	Φ 216	/	Φ 207
14	08 × 44	200*1120	2.5"-8NPSM	/	32.6	8.6	Standard	1125	Φ 216	/	Φ 207
15	09 × 17	230*432	2.5"-8NPSM	/	13.8	3.6	Standard	437	Φ 240	/	Φ 231
16	09 × 35	230*890	2.5"-8NPSM	/	32.1	8.5	Standard	895	Φ 240	/	Φ 231
17	09 × 42	230*1068	2.5"-8NPSM	/	38.4	10.1	Standard	1073	Φ 240	/	Φ 231
18	09 × 48	230*1220	2.5"-8NPSM	/	44.3	11.7	Standard	1225	Φ 240	/	Φ 231
19	10 × 17	250*432	2.5"-8NPSM	/	16.7	4.4	Standard	437	Φ 266	/	Φ 258
20	10 × 19	250*484	2.5"-8NPSM	/	19.3	5.1	Standard	488	Φ 266	/	Φ 258
21	10 × 24	250*610	2.5"-8NPSM	/	25.2	6.7	Standard	616	Φ 266	/	Φ 258
22	10 × 35	250*890	2.5"-8NPSM	/	39.4	10.4	Standard	895	Φ 266	/	Φ 258
23	10 × 44	250*1119	2.5"-8NPSM	/	51.0	13.5.	Standard	1124	Φ 266	/	Φ 258
24	10 × 54	250*1373	2.5"-8NPSM	/	63.5	16.8	Standard	1378	Φ 266	/	Φ 258
25	12 × 48	300*1220	2.5"-8NPSM	/	78.9	20.8	Standard	1230	Φ 318	/	Φ 307
26	12 × 52	300*1320	2.5"-8NPSM	/	85.9	22.7	Standard	1330	Φ 318	/	Φ 307
27	12 × 65	300*1650	2.5"-8NPSM	/	109.1	28.8	Standard	1660	Φ 318	/	Φ 307
28	13 × 44	330*1117	2.5"-8NPSM	/	83.1	22.0	Standard	1127	Φ 343	/	Φ 334
29	13 × 54	330*1370	2.5"-8NPSM	/	104.3	27.6	Standard	1380	Φ 343	/	Φ 334
30	14 × 52	350*1320	2.5"-8NPSM	/	115.4	30.5	Standard	1325	Φ 369	/	Φ 359
31	14 × 52	350*1320	4"-8UN	/	115.4	30.5	Standard	1325	Φ 369	/	Φ 359
32	14 × 65	350* 1650	2.5"-8NPSM	/	147.0	38.8	Standard	1655	Φ 369	/	Φ 359
33	14 × 65	350*1650	4"-8UN	/	147.0	38.8	Standard	1655	Φ 369	/	Φ 359
34	14 × 65	350*1650	4"-8UN	4"-8UN	147.0	38.8	Tripod	1870	Φ 370	220	Φ 359
35	16 × 52	400*1320	2.5"-8NPSM	/	150.0	39.6	Standard	1325	Φ 420	/	Φ 409
36	16 × 52	400*1320	4"-8UN	/	150.0	39.6	Standard	1325	Φ 420	/	Φ 409
37	16 × 65	400*1650	2.5"-8NPSM	/	191.3	50.5	Standard	1655	Φ 420	/	Φ 409
38	16 × 65	400*1650	4"-8UN	/	191.3	50.5	Standard	1655	Φ 420	/	Φ 409
39	16 × 65	400*1650	4"-8UN	4"-8UN	191.3	50.5	Tripod	1870	Φ 420	220	Φ 409
40	18 × 36	450*914	4"-8UN	/	124.9	33.0	Round	934	Φ 451	/	Φ 462
41	18 × 53	450*1346	4"-8UN	/	193.6	51.1	Round	1366	Φ 451	/	Φ 462

No.	Model Base	Nominal dimension	Opening		Volume		Base	Dimension			
			Top	Bottom	litre	Gallon		A (mm)	B (mm)	C (mm)	D (mm)
42	18 × 65	450*1650	4"-8UN	/	242.3	64.0	Round	1670	Φ 451	/	Φ 462
43	18 × 65	450*1650	4"-8UN	4"-8UN	242.3	64.0	Tripod	1873	Φ 480	223	Φ 462
44	20 × 69	500*1752	4"-8UN	/	310.4	82.0	Round	1772	Φ 523	/	Φ 513
45	20 × 69	500*1752	4"-8UN	4"-8UN	310.4	82.0	Tripod	1997	Φ 535	245	Φ 513
46	21 × 36	550*915	4"-8UN	/	168.2	44.4	Round	935	Φ 532	/	Φ 539
47	21 × 53	550*1346	4"-8UN	/	262.4	69.3	Round	1366	Φ 532	/	Φ 539
48	21 × 62	550*1575	4"-8UN	/	312.7	82.6	Round	1595	Φ 532	/	Φ 539
49	21 × 62	550*1575	4"-8UN	4"-8UN	312.7	82.6	Tripod	1823	Φ 555	248	Φ 539
50	24 × 65	600*1650	4"-8UN	/	426.5	112.7	Round	1670	Φ 612	/	Φ 613
51	24 × 65	600*1650	4"-8UN	4"-8UN	426.5	112.7	Tripod	1898	Φ 610	248	Φ 613
52	24 × 72	600*1830	4"-8UN	/	477.5	126.2	Round	1850	Φ 612	/	Φ 613
53	24 × 72	600*1830	4"-8UN	4"-8UN	477.5	126.2	Tripod	2080	Φ 610	248	Φ 613
54	30 × 65	750*1650	4"-8UN	/	645.7	170.6	Round	1700	Φ 762	/	Φ 766
55	30 × 65	750*1650	4"-8UN	4"-8UN	645.7	170.6	Tripod	1880	Φ 762	228	Φ 766
56	30 × 72	750*1830	4"-8UN	/	725.9	191.8	Round	1880	Φ 762	/	Φ 766
57	30 × 72	750*1830	4"-8UN	4"-8UN	725.9	191.8	Tripod	2078	Φ 762	228	Φ 766
58	30 × 72	750*1980	6"-FLG	6"-FLG	736.2	194.5	Tripod	2245	Φ 815	265	Φ 770
59	36 × 65	900*1650	4"-8UN	/	914.6	241.6	Round	1700	Φ 910	/	Φ 919
60	36 × 65	900*1650	4"-8UN	4"-8UN	914.6	241.6	Tripod	1879	Φ 900	228	Φ 919
61	36 × 72	900*1830	4"-8UN	/	1030.2	272.2	Round	1880	Φ 910	/	Φ 919
62	36 × 72	900*1830	4"-8UN	4"-8UN	1030.2	272.2	Tripod	2058	Φ 900	228	Φ 919
63	36 × 72	900*1980	6"-FLG	6"-FLG	1045.2	276.1	Tripod	2240	Φ 920	257	Φ 920
64	40 × 65	1000*1650	4"-8UN	4"-8UN	1148.8	303.5	Tripod	1980	Φ 1010	329	Φ 1010
65	40 × 65	1000*1800	6"-FLG	6"-FLG	1139.9	301.2	Tripod	2060	Φ 1010	262	Φ 1010
66	40 × 79	1000*2006	4"-8UN	4"-8UN	1338.3	353.6	Tripod	2335	Φ 1010	329	Φ 1010
67	40 × 79	1000*2156	6"-FLG	6"-FLG	1328.4	351.0	Tripod	2418	Φ 1010	262	Φ 1010
68	42 × 72	1100*1830	6"-FLG	6"-FLG	1431.2	378.1	Tripod	2093	Φ 1070	263	Φ 1080
69	48 × 72	1200*1830	6"-FLG	6"-FLG	1786.2	471.9	Tripod	2121	Φ 1200	291	Φ 1220
70	60 × 79	1500*2007	6"-FLG	6"-FLG	3086.3	815.4	Tripod	2300	Φ 1500	294	Φ 1512
71	63 × 67	1600*1702	6"-FLG	6"-FLG	2629.8	694.8	Tripod	1996	Φ 1620	294	Φ 1604
72	63 × 86	1 600*2184	6"-FLG	6"-FLG	3424.5	904.8	Tripod	2478	Φ 1620	294	Φ 1604
73	72 × 79	1800*2007	6"-FLG	6"-FLG	4819.4	1273.3	Tripod	2300	Φ 1800	294	Φ 1856
74	80 × 79	2000*2007	6"-FLG	6"-FLG	4819.4	1273.3	Tripod	2300	Φ 2000	294	Φ 2036

FRP tanks

- FRP tank: 0.6 MPa And 1.0MPa.
- Adopt food grade HDPE as inner liner.
- Epoxy resin + fiberglass winding reinforcement.
- Precise thread for industry & civil use and flange connections.
- Working & testing pressure:
 - 1.0 MPa And 0.6 MPa.100, 000 times of fatigue test.
 - Burst test 4 times of itis design pressure.
- Product certification: CE & ISO9001.
- Model: 0517-8079.
- Working temperature: 1°C - 49 °C (34 °F-120 °F).



Water softer tanks with upper filling port /lower discharge port

- 0.6MPa and 150 psi.
- Model: 30" -72" (Diameter: 750 mm – 1800 mm).
- Working temperature: 1°C – 49°C (34 °F – 120 °F)
- More than 100,000 times of fatigue test, burst test with 4 times of its design pressure.
- Certified by ISO 9001, CE.
- NO leakage.
- With negative pressure automatic protection device, more stable under pressure and longer service life for stable pressure.
- More convenient and reduces damage to valves and water distributors

FRP tank with upper filling port and lower discharge port

NO.	Nominal size	Inch	Opening form		Pressure Rating	
			"upper filling opening size"	"lower discharge opening size"	0.6Mpa	1.0Mpa
1	750*1855	3065-4"-4"	/	4"	100 psi	/
2	750*2035	3072-4"-4"	/	4"	100 psi	/
3	900*2000	3665-6"-6"	/	4"	100 psi	150 psi
4	900*2160	3672-6"-6"	/	4"	100 psi	150 psi
5	1000*1980	4065-6"-6"	/	4"	100 psi	150 psi
6	1000*2100	4079-6"-6"	/	4"	100 psi	150 psi
7	1100*2180	4272-6"-6"	/	4"	100 psi	150 psi
8	1200*2195	4872-6"-6"	/	4"	100 psi	150 psi
9	1500*2425	6079-6"-6"	/	4"	100 psi	150 psi
10	1600*2460	6386-6"-6"	/	4"	100 psi	150 psi
11	1800*2600	7279-6"-6"	/	4"	100 psi	150 psi
12	2000*2600	8079-6"-6"	/	4"	100 psi	/
13	2000*2600	8079-6"-16"	/	4"	100 psi	/
14	750*1855	3065-4"-4"	4"	4"	100 psi	/
15	750*2035	3072-4"-4"	4"	4"	100 psi	/
16	900*2000	3665-6"-6"	4"	4"	100 psi	150 psi
17	900*2160	3672-6"-6"	4"	4"	100 psi	150 psi
18	1000*1980	4065-6"-6"	4"	4"	100 psi	150 psi
19	1000*2100	4079-6"-6"	4"	4"	100 psi	150 psi
20	1100*2180	4272-6"-6"	4"	4"	100 psi	150 psi
21	1200*2195	4872-6"-6"	4"	4"	100 psi	150 psi
22	1500*2425	6079-6"-6"	4"	4"	100 psi	150 psi
23	1600*2460	6386-6"-6"	4"	4"	100 psi	150 psi
24	1800*2600	7279-6"-6"	4"	4"	100 psi	150 psi



Edmund Tan

sBusiness Development Manager
MSc in Construction Project Management

HECO EARTH TECHNOLOGY PTE. LTD.

Address: Soon Lee Street, #03-69 Pioneer Center, Singapore 627605
Mobile: +65 9488 6577 | Email: ecoearthtechnology@gmail.com