

UPVC CARTRIDGE FILTER HOUSINGS

ecoeARTH
TECHNOLOGY

ECO EARTH TECHNOLOGY PTE LTD

2022

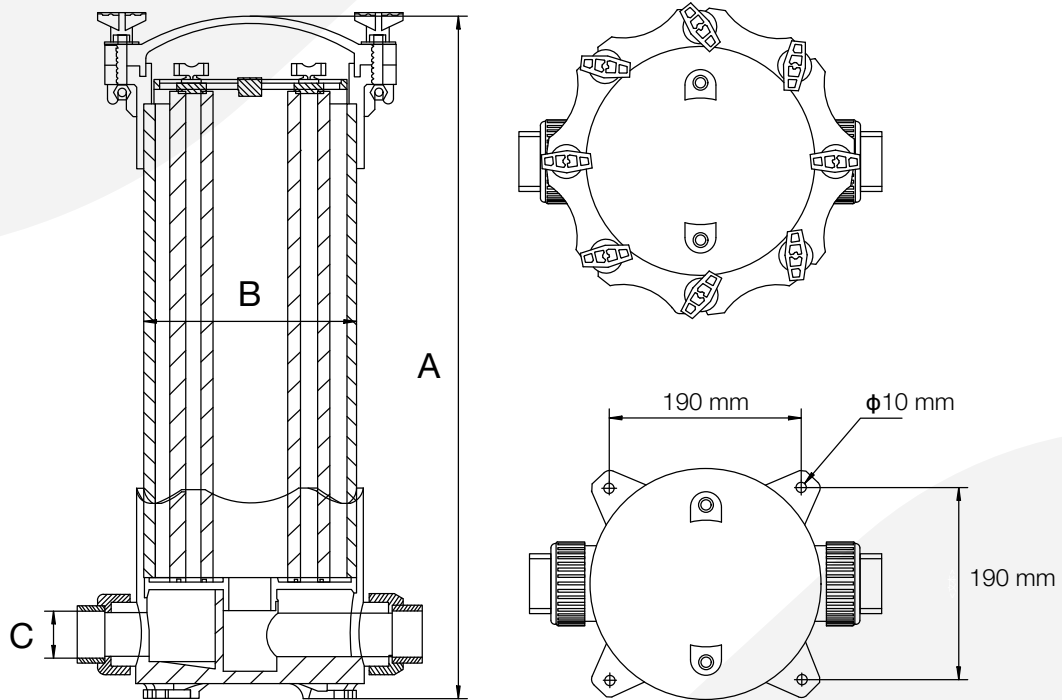


Mobile: +65 9488 6577 | Email: ecoearthtechnology@gmail.com

UPVC CARTRIDGE FILTER HOUSING

for 5 elements

- UPVC material has stronger corrosion resistance, Can be widely used in food, industry acid base salt solution, cooling tower circulating filtration and ultrafiltration membrane which stainless steel can not be replaced.
- The water will be evenly distributed from bottom to top, small strike to cartridges, exhaust valve on the top of the filter in order to discharge the air from the filter.
- The highest working temperature is 45°C, The size of the two holes in the lid of the filter is G1/4", If the thread of the pressure gauge is metric standard, an adaptor should be added.
- Unlike the triditional assembling, The filter has PP cotton filter positioning so that the cartridge no need to be adjusted afterlid.



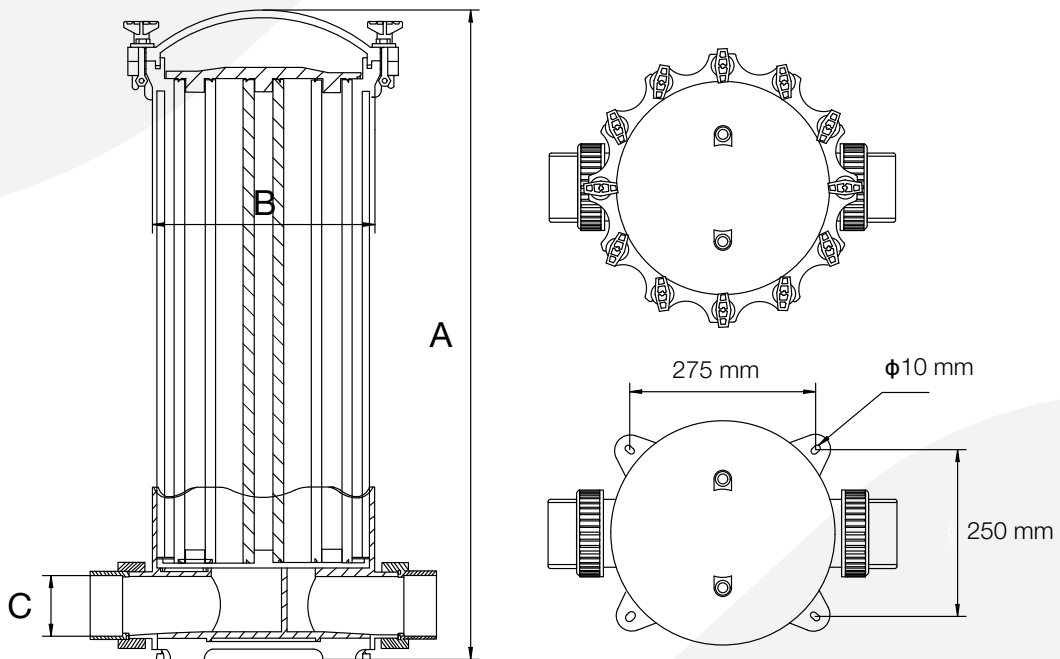
▼ UPVC cartridge filter housing for 5 elements

Model	DIMENSIONS (mm)			Filter dimensions	Maximum working pressure	Material
	A	B	C			
SWUPVC5-10	455	225	48.5 / 50	10"	0.6 MPA	UPVC
SWUPVC5-20	710	225	48.5 / 50	20"	0.6 MPA	UPVC
SWUPVC5-30	965	225	48.5 / 50	30"	0.6 MPA	UPVC
SWUPVC5-40	1220	225	48.5 / 50	40"	0.6 MPA	UPVC

UPVC CARTRIDGE FILTER HOUSING

for 9 elements

- UPVC material has stronger corrosion resistance, Can be widely used in food, industry acid base salt solution, cooling tower circulating filtration and ultrafiltration membrane which stainless steel can not be replaced.
- The water will be evenly distributed from bottom to top, small strike to cartridges, exhaust valve on the top of the filter in order to discharge the air from the filter.
- The highest working temperature is 45°C, The size of the two holes in the lid of the filter is G1/4", If the thread of the pressure gauge is metric standard, an adaptor should be added.
- Unlike the traditional assembling, The filter has PP cotton filter positioning so that the cartridge no need to be adjusted after lid.



▼ UPVC cartridge filter housing for 9 elements

Model	DIMENSIONS (mm)			Filter dimensions	Maximum working pressure	Material
	A	B	C			
SWUPVC9-10	505	315	88.9 / 90	10"	0.6 MPA	UPVC
SWUPVC9-20	760	315	88.9 / 90	20"	0.6 MPA	UPVC
SWUPVC9-30	1000	315	88.9 / 90	30"	0.6 MPA	UPVC
SWUPVC9-40	1270	315	88.9 / 90	40"	0.6 MPA	UPVC



Edmund Tan
Business Development Manager
MSc in Construction Project Management

ECO EARTH TECHNOLOGY PTE LTD

Address: Soon Lee Street, #03-69 Pioneer Center, Singapore 627605
Mobile: +65 9488 6577 | Email: ecoearthtechnology@gmail.com